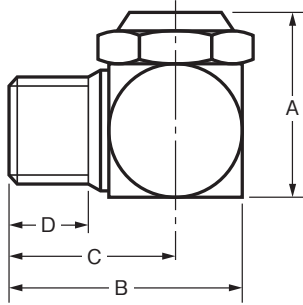


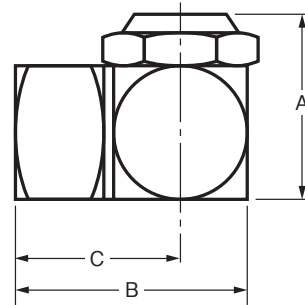
K-1

Lタイプ スプレーノズル



BSBM					
管径 in	寸法 mm				重量 g
	A	B	C	D	
1/4	22	28	20	11	45
3/8	27	35	25	12	76
1/2	34	45	32	14	170

SUS					
管径 in	寸法 mm				重量 g
	A	B	C	D	
1/4	22	29	21	11	55
3/8	29	35	25	12	90
1/2	35	45	32	14	200



BSBM				
管径 in	寸法 mm			重量 g
	A	B	C	
1/4	22	28	20	50
3/8	27	35	25	87
1/2	34	45	32	170

SUS				
管径 in	寸法 mm			重量 g
	A	B	C	
1/4	22	29	21	60
3/8	29	35	25	100
1/2	35	45	32	200

管径 in	吹出穴 mm	水量 L/min / Spray 角度										
		水圧 (MPa)	0.029	0.049	0.069	0.098	0.147	0.196	0.245	0.294	0.392	0.490
		(kg/cm ²)	0.3	0.5	0.7	1.0	1.5	2.0	2.5	3.0	4.0	5.0
1/4	1.0			0.26/55°	0.30/60°	0.37/70°	0.42/75°	0.48/80°	0.54/80°	0.60/85°	0.70/85°	0.80/85°
	1.6			0.35/60°	0.42/60°	0.50/70°	0.60/75°	0.66/80°	0.72/80°	0.80/80°	0.90/85°	1.10/85°
	2.0			0.58/60°	0.72/65°	0.84/70°	1.00/75°	1.15/80°	1.26/80°	1.40/80°	1.60/75°	1.75/75°
	2.4		0.75/55°	0.98/60°	1.10/65°	1.35/70°	1.70/75°	2.00/80°	2.25/80°	2.45/80°	2.80/80°	3.00/80°
	3.2		1.50/60°	2.17/65°	2.60/70°	3.00/75°	3.70/75°	4.25/80°	4.72/80°	5.20/80°	6.00/85°	6.70/90°
3/8	2.0			0.83/60°	0.96/60°	1.08/70°	1.28/75°	1.45/80°	1.60/80°	1.73/80°	1.95/80°	2.15/80°
	2.6		1.08/55°	1.35/60°	1.55/60°	1.86/70°	2.25/75°	2.68/80°	2.95/80°	3.20/80°	3.65/80°	4.00/85°
	3.0		1.30/60°	1.80/70°	2.10/75°	2.50/80°	3.00/80°	3.45/80°	3.90/80°	4.22/80°	4.75/80°	5.15/80°
	3.2		1.50/65°	2.25/70°	2.60/75°	3.08/80°	3.75/80°	4.25/80°	4.73/80°	5.23/80°	6.00/80°	6.70/80°
	4.0		2.20/65°	3.00/70°	3.50/75°	4.20/80°	5.00/80°	5.62/80°	6.30/80°	6.90/80°	7.80/85°	8.60/85°
	4.8		3.00/70°	3.75/75°	4.35/75°	5.20/80°	6.30/80°	7.10/80°	7.90/80°	8.63/80°	9.80/85°	10.70/90°
	5.2		4.00/70°	4.75/75°	5.52/75°	6.65/80°	8.05/80°	9.20/80°	10.10/80°	11.05/80°	12.90/90°	14.30/90°
	6.4		5.00/70°	5.90/80°	7.10/85°	8.50/90°	10.50/90°	12.50/90°	13.85/90°	15.30/90°	17.80/90°	20.00/90°
7.0		6.40/75°	7.70/80°	9.00/80°	11.00/85°	13.50/90°	15.50/90°	17.30/95°	19.30/95°	22.30/95°	25.00/95°	
1/2	7.5		7.2/70°	9.5/70°	11.4/70°	13.5/70°	17.0/70°	19.5/70°	22.0/70°	24.0/70°	28.0/65°	31.0/60°
	9.0		9.6/70°	12.5/70°	15.2/70°	18.0/75°	22.2/75°	25.6/75°	28.5/70°	31.6/70°	36.5/70°	40.0/70°
	12.0		13.6/70°	17.5/75°	20.5/75°	24.6/80°	29.5/85°	33.6/85°	37.5/85°	40.0/85°	47.8/80°	53.0/80°

※記載の数値は代表値であり、保証値ではありません。